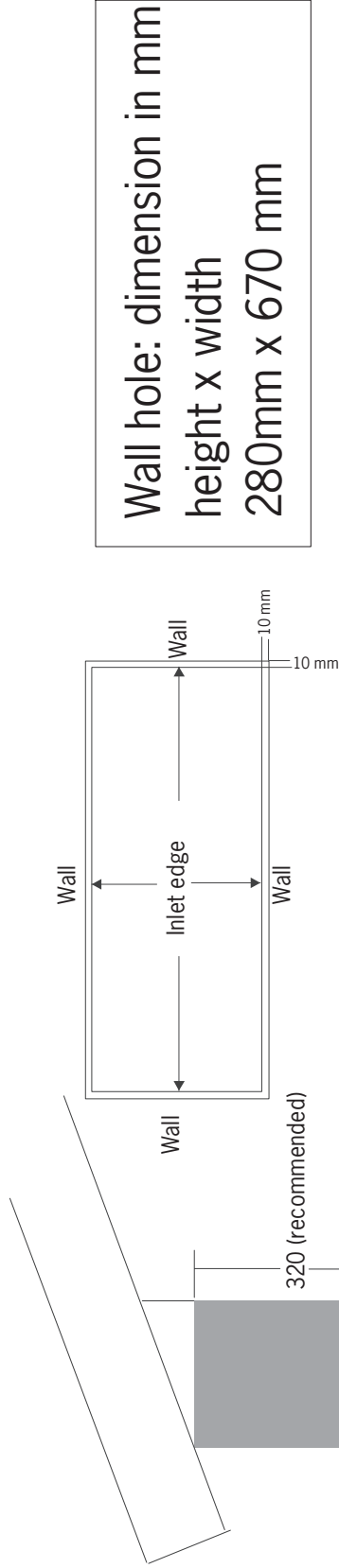


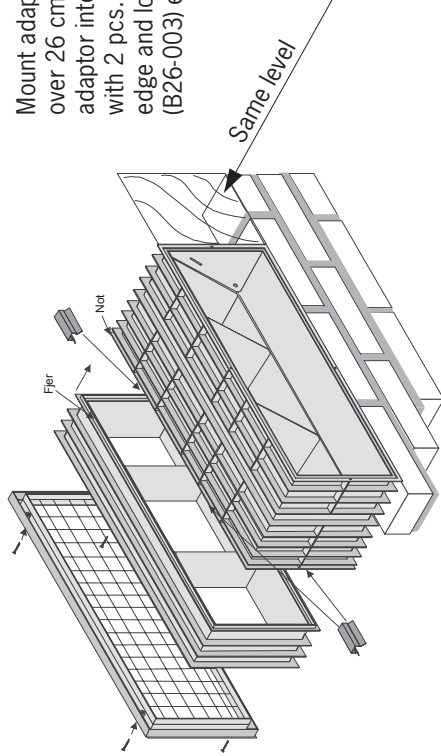
Wall inlet WI

Assembly instruction wall inlet WI



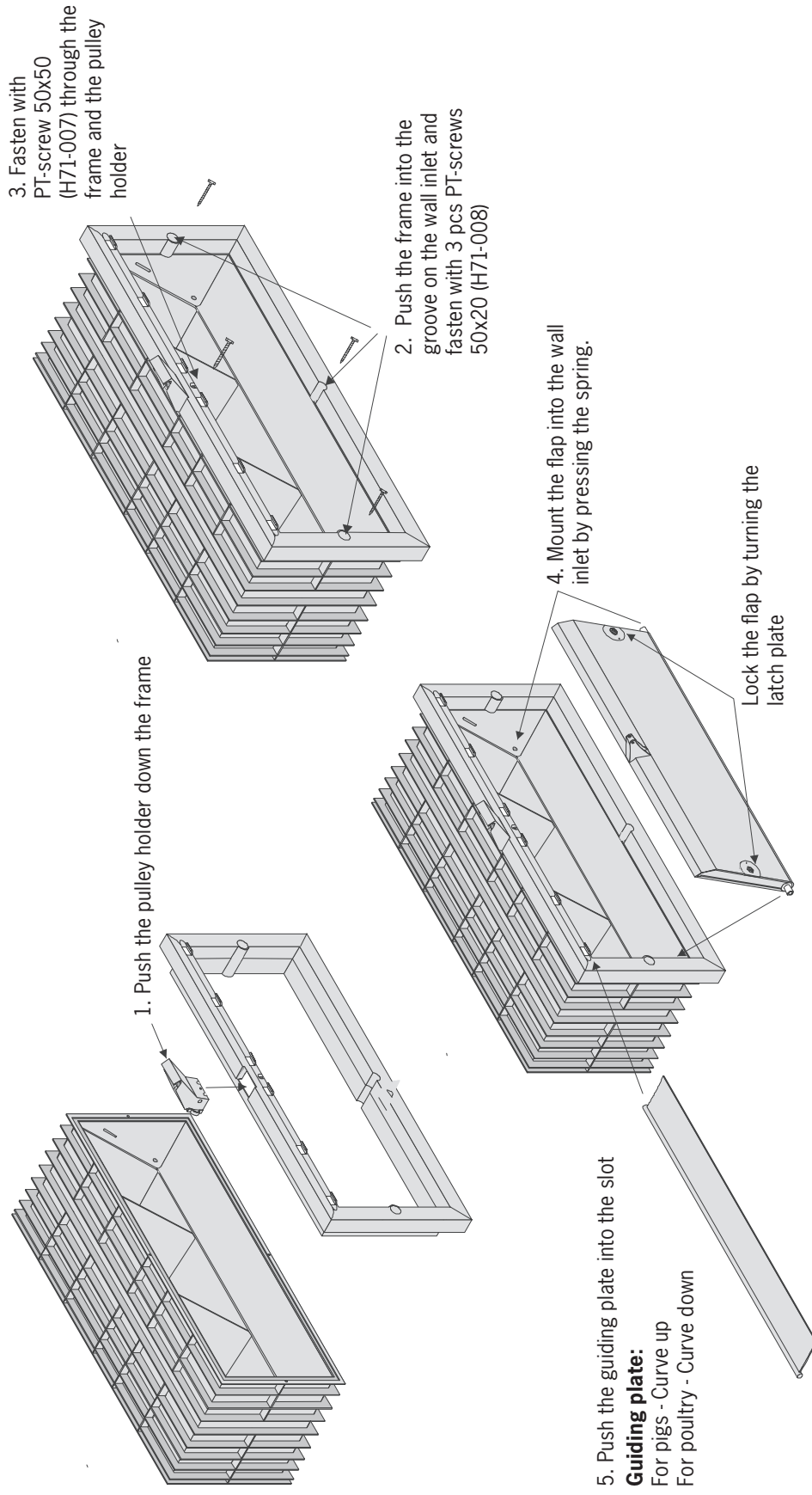
1. The wall inlet is centered in the wall hole with spacer
2. The wall inlet "must" be flush with the in side wall. The inside is not frame mounted.
3. Fit the wall inlet temporarily with corner wedges.
4. Fasten the wall inlet in the corners with polyurethane foam.
5. Stuff with insulation material between the wall and the inlet before jointing with silicone.
6. Screw the net onto the wall inlet with 4 pcs. PT screws 50x12 (H71-006)

Mount adaptor at wall thickness over 26 cm by pushing the adaptor into the wall inlet. Fasten with 2 pcs. clip (B26-003) in top edge and lower edge and 1 clip (B26-003) each side.



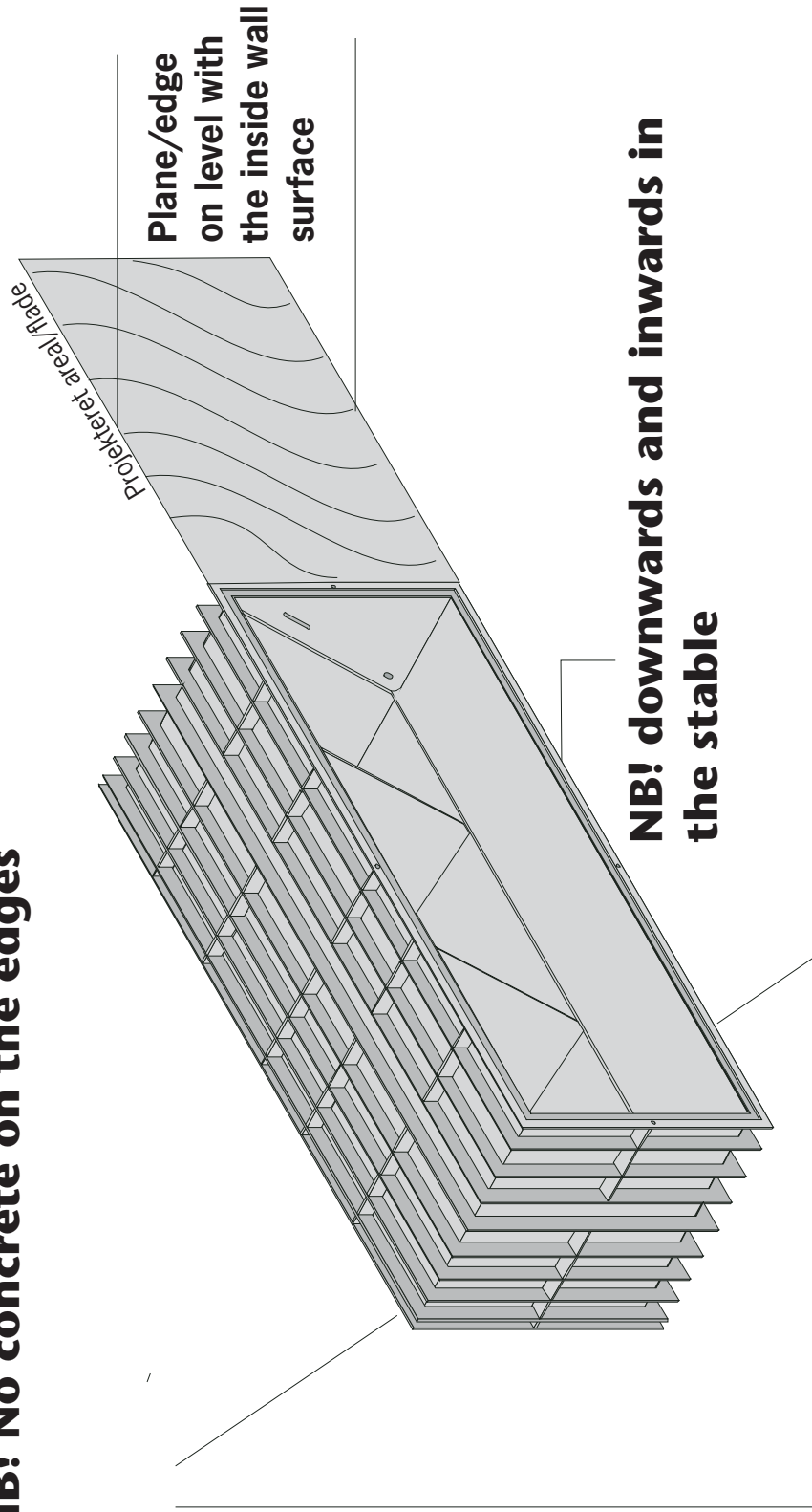
Important!
Acid mortar etc. at the edges of wall inlet, because of problems when assembling th wall inlet.

Assembly instruction wall inlet WI



Concreting the Wall inlet WI

NB! No concrete on the edges



NB! downwards and inwards in the stable

Mounting the wire pulling system onto the wall inlets

The wall inlets must be closed when mounting the wire pulling system

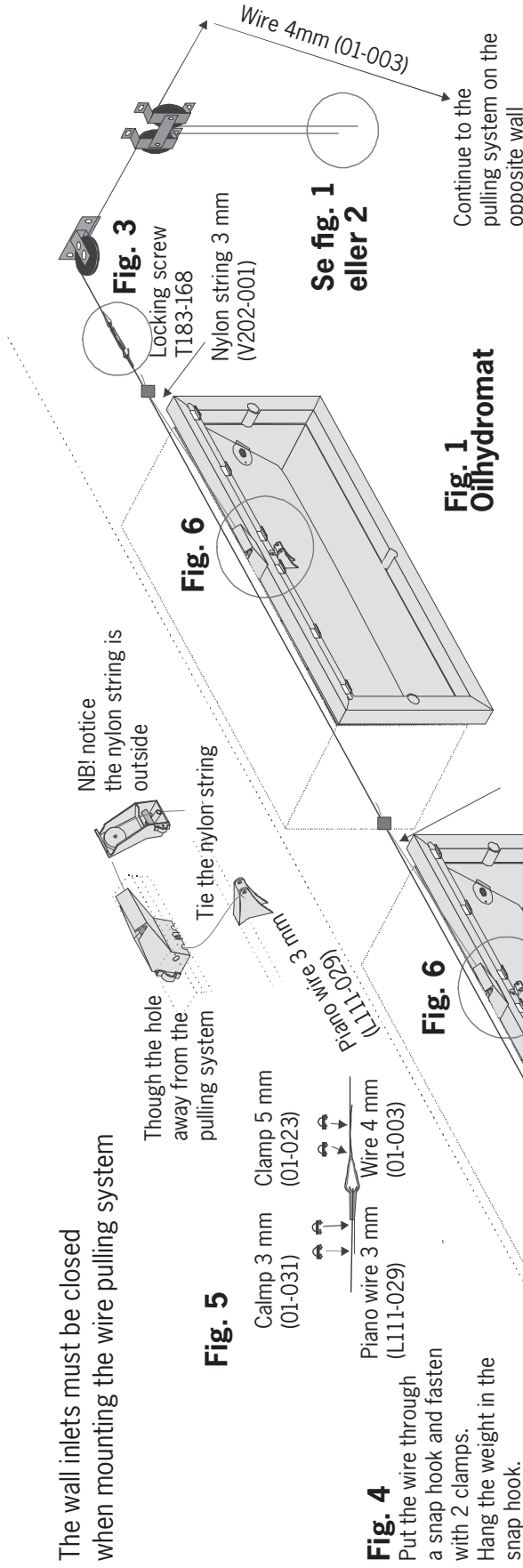


Fig. 1
Oilhydromat

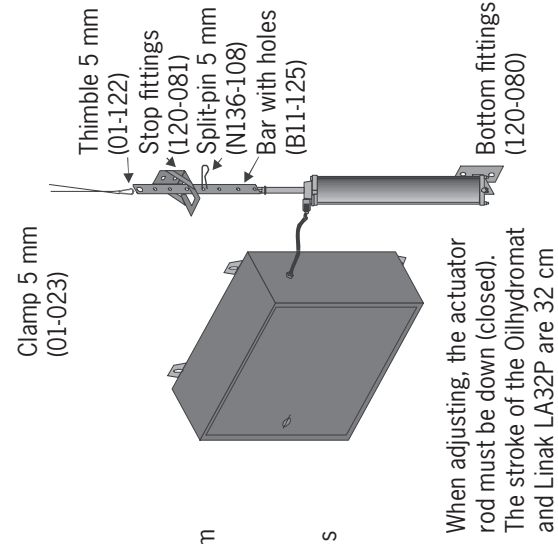


Fig. 2
Linak LA32

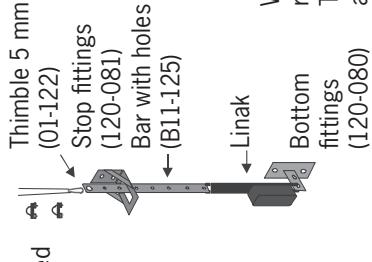


Fig. 3

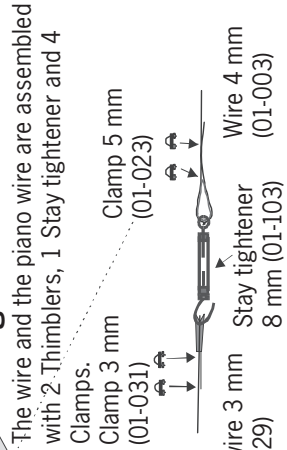


Fig. 5

Fig. 4

