

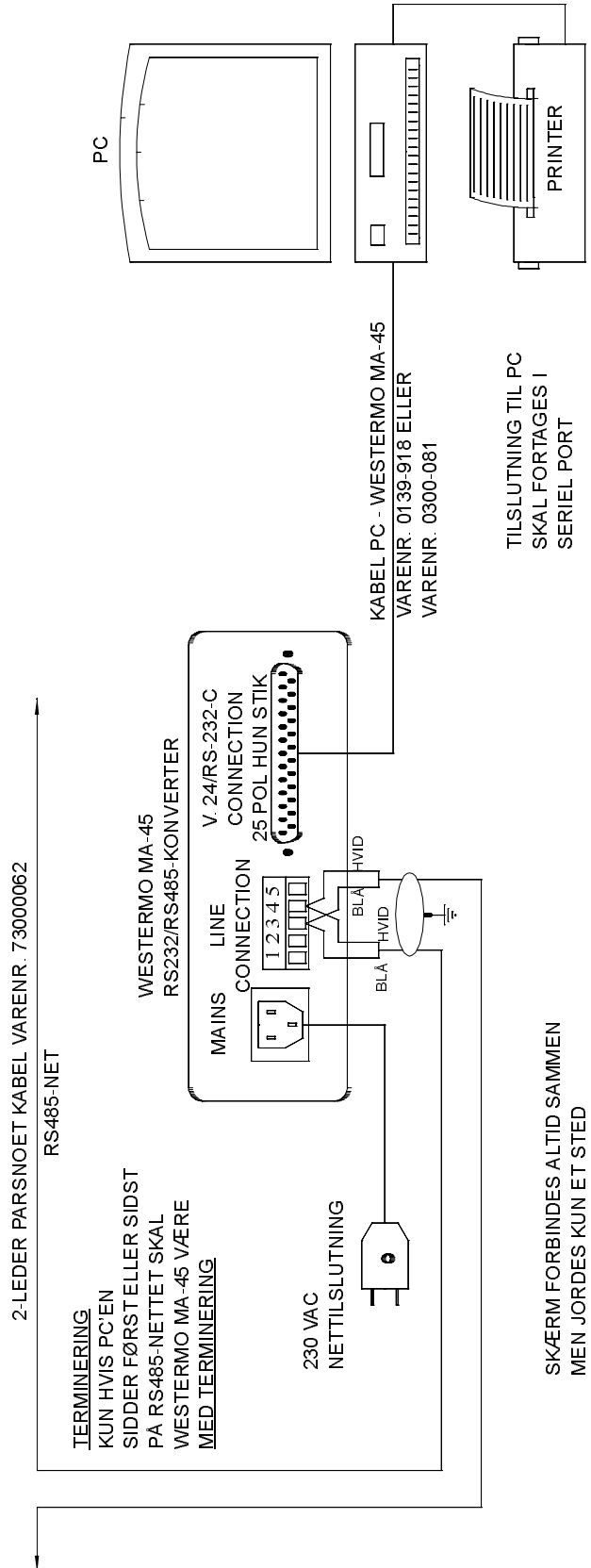
Opsætning af Westermo MA-45 RS232/RS485-konverter
Setup of Westermo MA-45 RS232/RS485-converter
Setup von Westermo MA-45 RS232/RS485-Konverter
Setup du Westermo MA-45 RS232/RS485-convertisseur



RS485-NET FOR AUTOFEED 2000 COMPUTER
TILSLUTNINGSDIAGRAM FOR WESTERMO MA-45 RS232/RS485-KONVERTER OG PC

INDSTILLING AF SWITCHE I WESTERMO MA-45

S1	230 VAC	MED_TERMINERING				UDEN_TERMINERING				LYSDIODER I FRONT
S2	1 ON (1)	S3	1 OFF (0)	S3	1 OFF (0)	PWR	POWER ON			
S2	2 ON (1)	S3	2 OFF (0)	S3	2 OFF (0)	RD	DATA RECEIVED			
S2	3 OFF (0)	S3	3 ON (1)	S3	3 OFF (0)	CTS	FOLLOWS RTS			
S2	4 ON (1)	S3	4 ON (1)	S3	4 OFF (0)	RTS	RS-422/485 TRANSMITTER ACTIVATED			
S2	5 OFF (0)					TD	DATA RECEIVED ON THE RS-232 INTERFACE			
S2	6 ON (1)									
S2	7 ON (1)									
S2	8 OFF (0)									



**RS485-NETWORK FOR AUTOFEED 2000 COMPUTER
INTERFACING PROGRAM FOR WESTERMO MA-45 RS232/RS485-CONVERTER AND PC**



SETTING OF SWITCHES IN WESTERMO MA-45

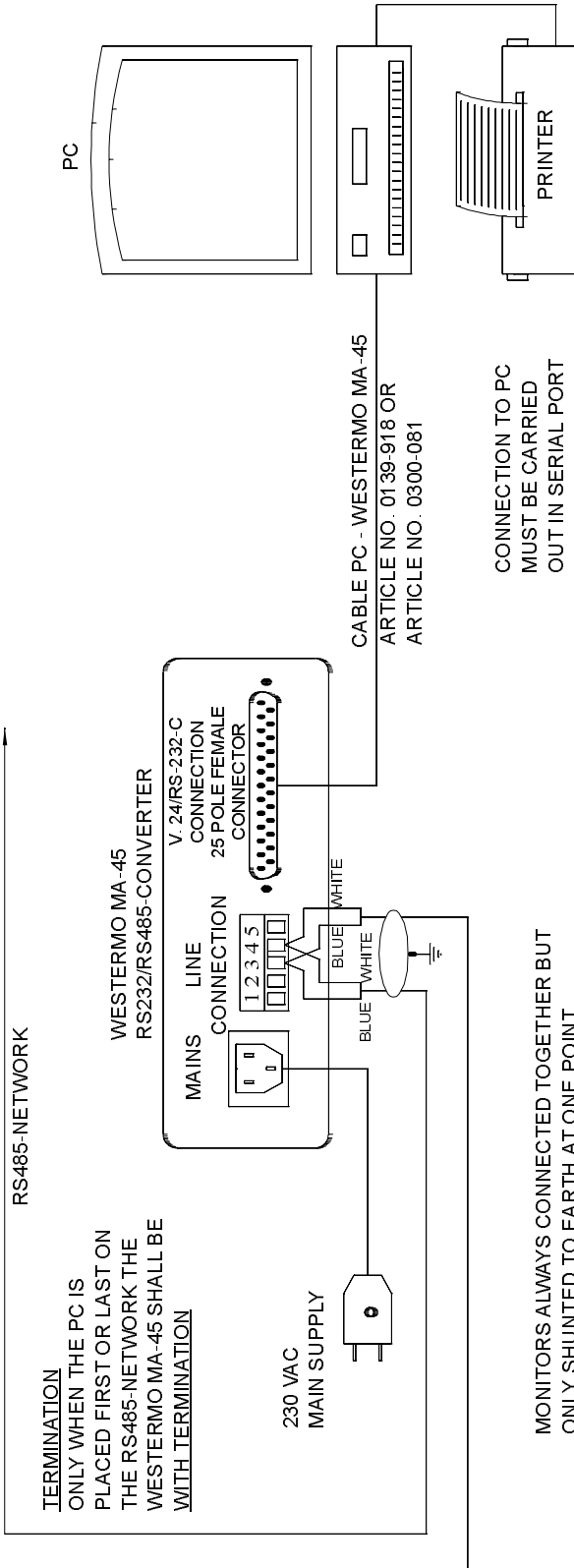
S1		230 VAC	WITH TERMINATION				WITHOUT TERMINATION				LIGHT EMITTING DIODES IN FRONT				
S2	1	ON	(1)	S3	1	OFF	(0)	PWR	1	OFF	(0)	PWR	1	OFF	(0)
S2	2	ON	(1)	S3	2	OFF	(0)	S3	2	OFF	(0)	RD	2	OFF	(0)
S2	3	OFF	(0)	S3	3	ON	(1)	S3	3	OFF	(0)	CTS	3	OFF	(0)
S2	4	ON	(1)	S3	4	ON	(1)	S3	4	OFF	(0)	RTS	4	OFF	(0)
S2	5	OFF	(0)									RTS			
S2	6	ON	(1)									ACTIVATED			
S2	7	ON	(1)									TD			
S2	8	OFF	(0)									DATA RECEIVED ON THE RS-232 INTERFACE			

TWIN CABLE TWISTED PAIR ARTICLE NO. 73000062

RS485-NETWORK

TERMINATION

ONLY WHEN THE PC IS PLACED FIRST OR LAST ON THE RS485-NETWORK THE WESTERMO MA-45 SHALL BE WITH TERMINATION



Opsætning af Westermo MA-45 RS232/RS485-konverter
Setup of Westermo MA-45 RS232/RS485-converter
Setup von Westermo MA-45 RS232/RS485-Konverter
Setup du Westermo MA-45 RS232/RS485-convertisseur

D

RS485-NETZWERK FÜR AUTOFEED 2000 COMPUTER
ANSCHLUSSPROGRAMM FÜR WESTERMO MA-45 RS232/RS485-KONVERTER UND PC

EINSTELLUNG VON SCHALTEN IN WESTERMO MA-45

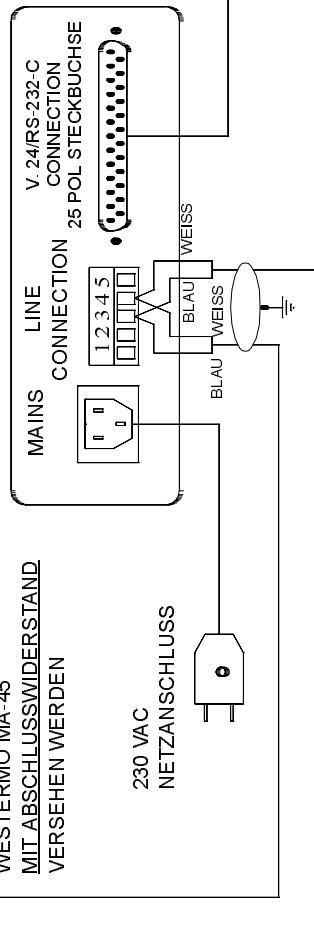
S1	230 VAC	MIT ABSCHLUSSWIDERSTAND	OHNE ABSCHLUSSWIDERSTAND	LICHTEMITTIERENDE DIODEN IN FRONT
S2	1 ON (1)	S3 1 OFF (0)	S3 1 OFF (0)	PWR POWER ON
S2	2 ON (1)	S3 2 OFF (0)	S3 2 OFF (0)	RD DATA RECEIVED
S2	3 OFF (0)	S3 3 ON (1)	S3 3 OFF (0)	CTS FOLLOWS RTS
S2	4 ON (1)	S3 4 ON (1)	S3 4 OFF (0)	RTS RS-422/485 TRANSMITTER ACTIVATED
S2	5 OFF (0)			TD DATA RECEIVED ON THE RS-232 INTERFACE
S2	6 ON (1)			
S2	7 ON (1)			
S2	8 OFF (0)			

ZWEILEITERKABEL PAARGEDREHT WARENNR. 73000062

RS485-NETZWERK

ABSCHLUSSWIDERSTAND
 NUR WENN DER PC ERST
 ODER LETZT AUF DEM RS485-
 NETZ PLAZIERT IST SOLL
 WESTERMO MA-45
MIT ABSCHLUSSWIDERSTAND
 VERSEHEN WERDEN

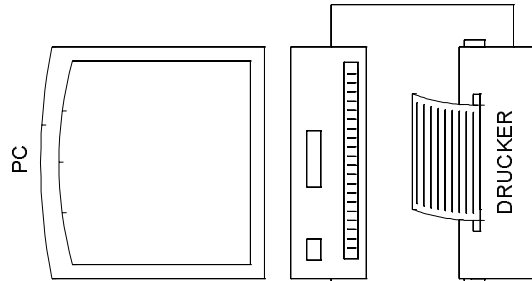
WESTERMO MA-45
 RS232/RS485-KONVERTER



SCHIRME IMMER ZUSAMMEN VERBUNDEN ABER
 NUR IN EINEN PUNKT AN ERDE GELEGEN

KABEL PC - WESTERMO MA-45
 WARENNR. 0139-918 ODER
 WARENNR. 0300-081

ANSCHLUSS AN PC MUSS
 IN SERIELLEN PORT
 VORGENOMMEN WERDEN



Opsætning af Westermo MA-45 RS232/RS485-konverter
Setup of Westermo MA-45 RS232/RS485-converter
Setup von Westermo MA-45 RS232/RS485-Konverter
Setup du Westermo MA-45 RS232/RS485-convertisseur

F

RS485-RESEAU POUR ORDINATEUR AUTOFEED 2000
PROGRAMME DE RACCORDEMENT POUR WESTERMO MA-45 RS232/RS485-CONVERTISSEUR ET PC

REGLAGE DES CONTACTEURS EN WESTERMO MA-45

S1	230	VAC	AVEC RESISTANCE DU FIN	SANS RESISTANCE DU FIN	DIODE ELECTRO-LUMINESCENTES EN FRONT
S2	1	ON (1)	S3 1 OFF (0)	S3 1 OFF (0)	PWR POWER ON
S2	2	ON (1)	S3 2 OFF (0)	S3 2 OFF (0)	RD DATA RECEIVED
S2	3	OFF (0)	S3 3 ON (1)	S3 3 OFF (0)	CTS FOLLOWS RTS
S2	4	ON (1)	S3 4 ON (1)	S3 4 OFF (0)	RTS RS-422/485 TRANSMITTER ACTIVATED
S2	5	OFF (0)			TD DATA RECEIVED ON THE RS-232 INTERFACE
S2	6	ON (1)			
S2	7	ON (1)			
S2	8	OFF (0)			

CABLE BIPOLAIRE NO. D'ARTICLE 73000062

