

Product description

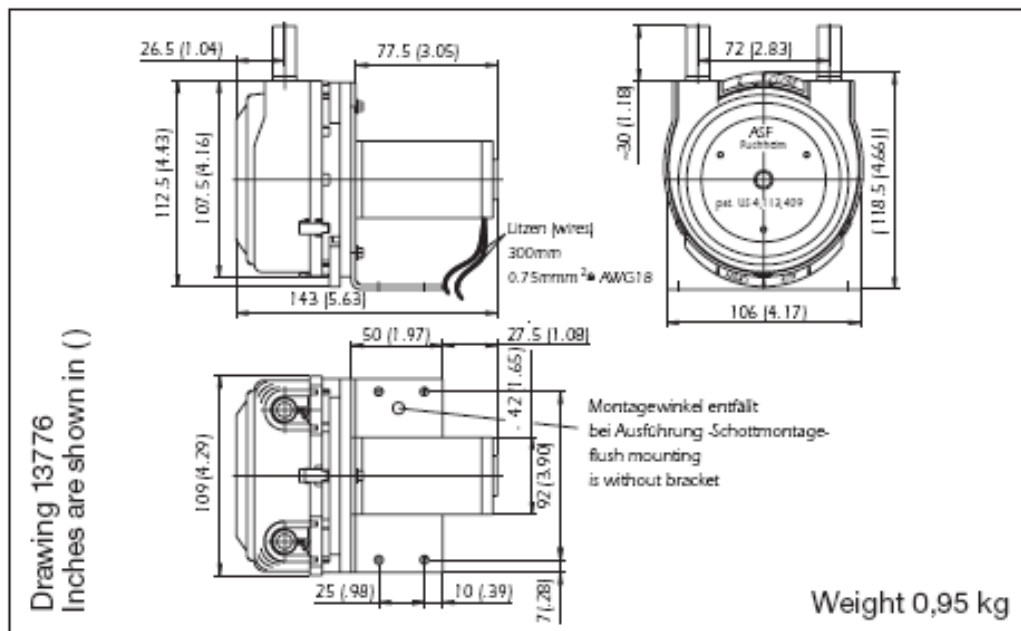
Liquid feeding



SR10/100 DC
With bracket

Hose pump

- for short time operation
- flow approx. 2,3 l/min
- working principle: self-priming
- 24V DC: 1,5A
- rotation direction depends on polarity (normally clock wise)
- hose is acid resistant



| Tubing Norprene® | | Tubing PharMed BPT® | | Fixing | Inner tubing Ø mm | Flow ¹⁾ l/min |
|------------------|-----------|---------------------|----------|-------------|----------------------|-----------------------------|
| 12 V DC | 24 V DC | 12 V DC | 24 V DC | | | |
| 21001006 | 21001007 | 21001106 | 21001107 | bracket | 6,35 | 1,3 |
| 21001012 | 21001013 | 21001112 | 21001113 | flush mount | | |
| 21001008 | 21001009* | 21001108 | 21001109 | bracket | 8,0 | 2,3 |
| 21001014 | 21001015 | 21001114 | 21001115 | flush mount | | |
| 21001010 | 21001011 | 21001110 | 21001111 | bracket | 9,5 | 2,9 |
| 21001016 | 21001017 | 21001116 | 21001117 | flush mount | | |

B - 3027

ACO Funki GmbH
Postfach 320, 24755 Rendsburg
Tel. + 49 4331 354-900
Fax + 49 4331 354-910
Info-d@aco-funki.com
www.aco-funki.com



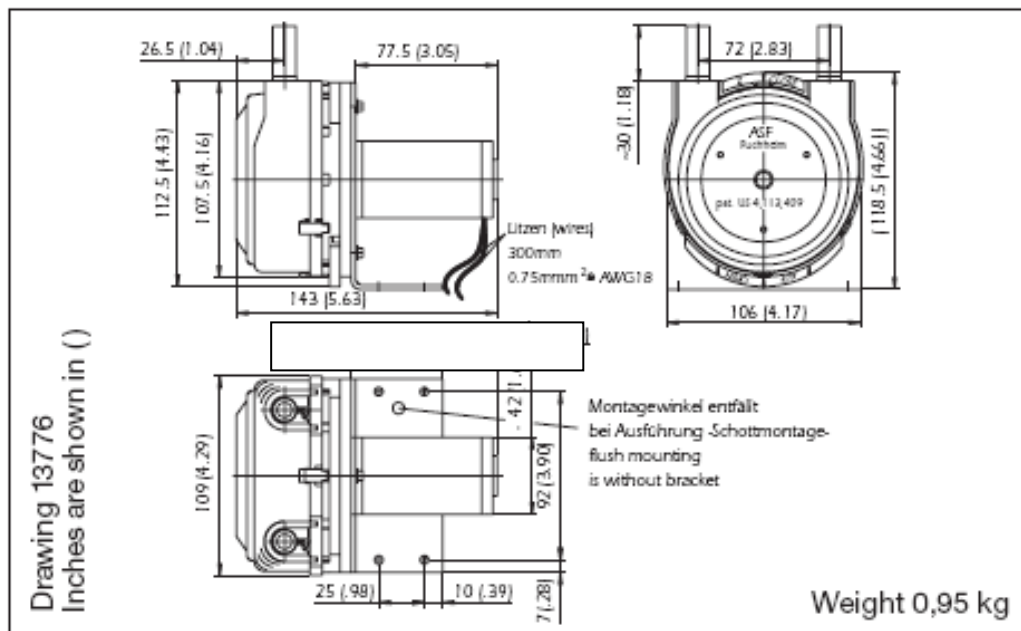
Produktbeschreibung
Flüssigfütterung



SR10/100 DC
With bracket

Schlauchpumpe

- nicht für Dauerbetrieb geeignet
- Durchfluss ca. 2,3 l/min
- Arbeitsprinzip: selbstansaugend
- 24V DC: 1,5A
- Drehrichtung von Polarität abhängig (normal im Uhrzeigersinn)
- Schlauch ist säureresistent



| Tubing Norprene® | | Tubing PharMed BPT® | | Fixing | Inner tubing Ø mm | Flow ¹⁾ l/min |
|------------------|-----------|---------------------|----------|-------------|----------------------|-----------------------------|
| 12 V DC | 24 V DC | 12 V DC | 24 V DC | | | |
| 21001006 | 21001007 | 21001106 | 21001107 | bracket | 6,35 | 1,3 |
| 21001012 | 21001013 | 21001112 | 21001113 | flush mount | | |
| 21001008 | 21001009* | 21001108 | 21001109 | bracket | 8,0 | 2,3 |
| 21001014 | 21001015 | 21001114 | 21001115 | flush mount | | |
| 21001010 | 21001011 | 21001110 | 21001111 | bracket | 9,5 | 2,9 |
| 21001016 | 21001017 | 21001116 | 21001117 | flush mount | | |

B - 3027

ACO Funki GmbH
Postfach 320, 24755 Rendsburg
Tel. + 49 4331 354-900
Fax + 49 4331 354-910
Info-d@aco-funki.com
www.aco-funki.com

